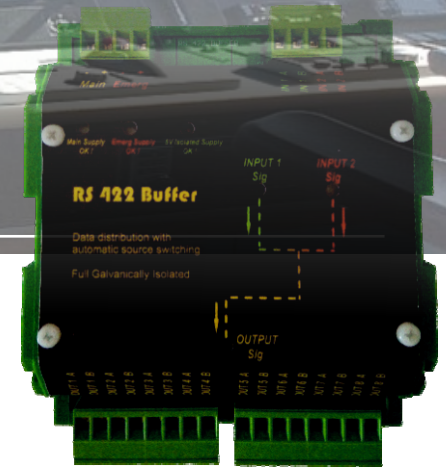


# SIGNAL SPLITTER/BUFFER



**RS232/RS422/RS485**

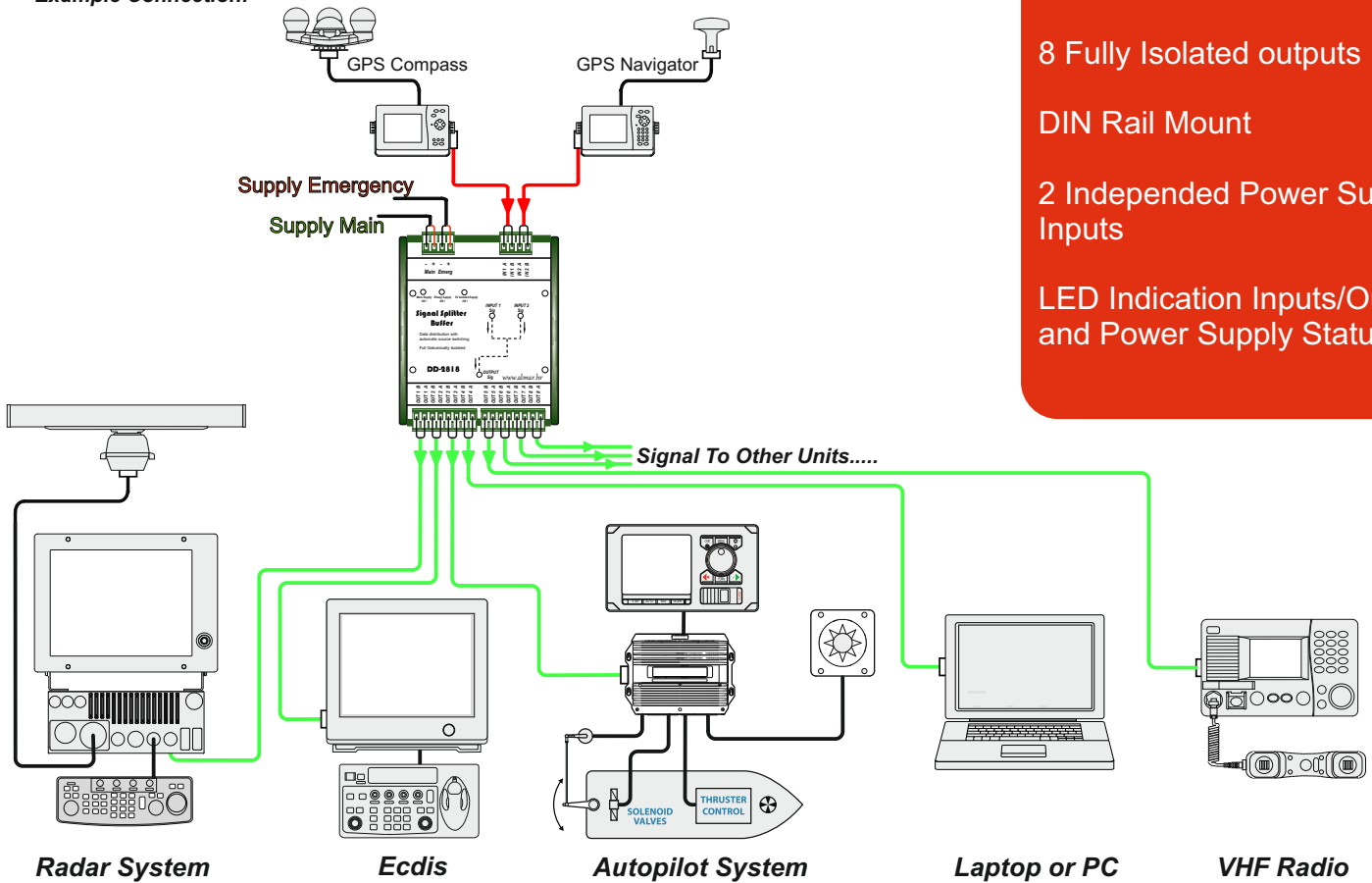
**Data buffer with automatic source switching**



**DD-2818 Amplify input signals to 8 independent outputs with equal voltage levels. Outputs are OPTO isolated from Input sources and galvanically from input Power supply's.**  
 The benefit of the DD-2818 is that he always use 1'st (Main) input as source, but if for some reason the main input Equipment stop to send data, DD-2818 will automaticly switch to input 2 if the signal is not present for more than 2 seconds.  
 Also there is the option to connect two Power supply sources for example from Service Battery's and from Emergency Battery's.  
 With this capabilities of the DD-2818 we can have the data bus always available.

- Key Features:**
- 2 OPTO isolated inputs with automatic source switching
  - 8 Fully Isolated outputs
  - DIN Rail Mount
  - 2 Independent Power Supply Inputs
  - LED Indication Inputs/Output and Power Supply Status

**Example Connection:**



# DD-2818 Signal Splitter/Buffer Specifications

Power Supply	
DUAL SUPPLY	Main 9-36Vdc and Emergency 9-36Vdc
INPUT PROTECTION	Reverse Polarity and ESD protection (+-1500V)
POWER INDICATION LED's	Main(Yellow),Emergency(Red),Working(Green)
Singal Input	
2 SIGNAL INPUT RS232 RS422 or RS485	Main(A) and Emergency(B) auto switch (2sec)
SIGNAL INDICATION LED's (flash at data rate)	MainA(Green),EmergencyB(Red)
INPUT PROTECTION	Reverse polarity, Overcurrent and Overvoltage ESD(+/-5300v)
Signal Output	
8 INDEPENDED OUTPUTS	1 – 8
OUTPUT PROTECTION	Galvanically isolated from Power Supply's Optoisolated from Inputs Short circuit ESD (HMB +/-2000V) (CDM +/-1000V)
OUTPUT CURRENT	20mA per Channel
OUTPUT VOLTAGE @ 100ohm LOAD	2.4V
OUTPUT VOLTAGE OPEN CIRCUIT	3.7V
BAUD RATE	Up to 115200
SIGNAL INDICATION LED (flash at data rate)	Yellow
Mechanical	
DIMENSIONS	W 108mm L 130mm H 61mm
CASE MATERIAL	PVC
WEIGHT	260 g
OPERATING TEMPERATURE	-40 to +85°C

## Product Dimensions

